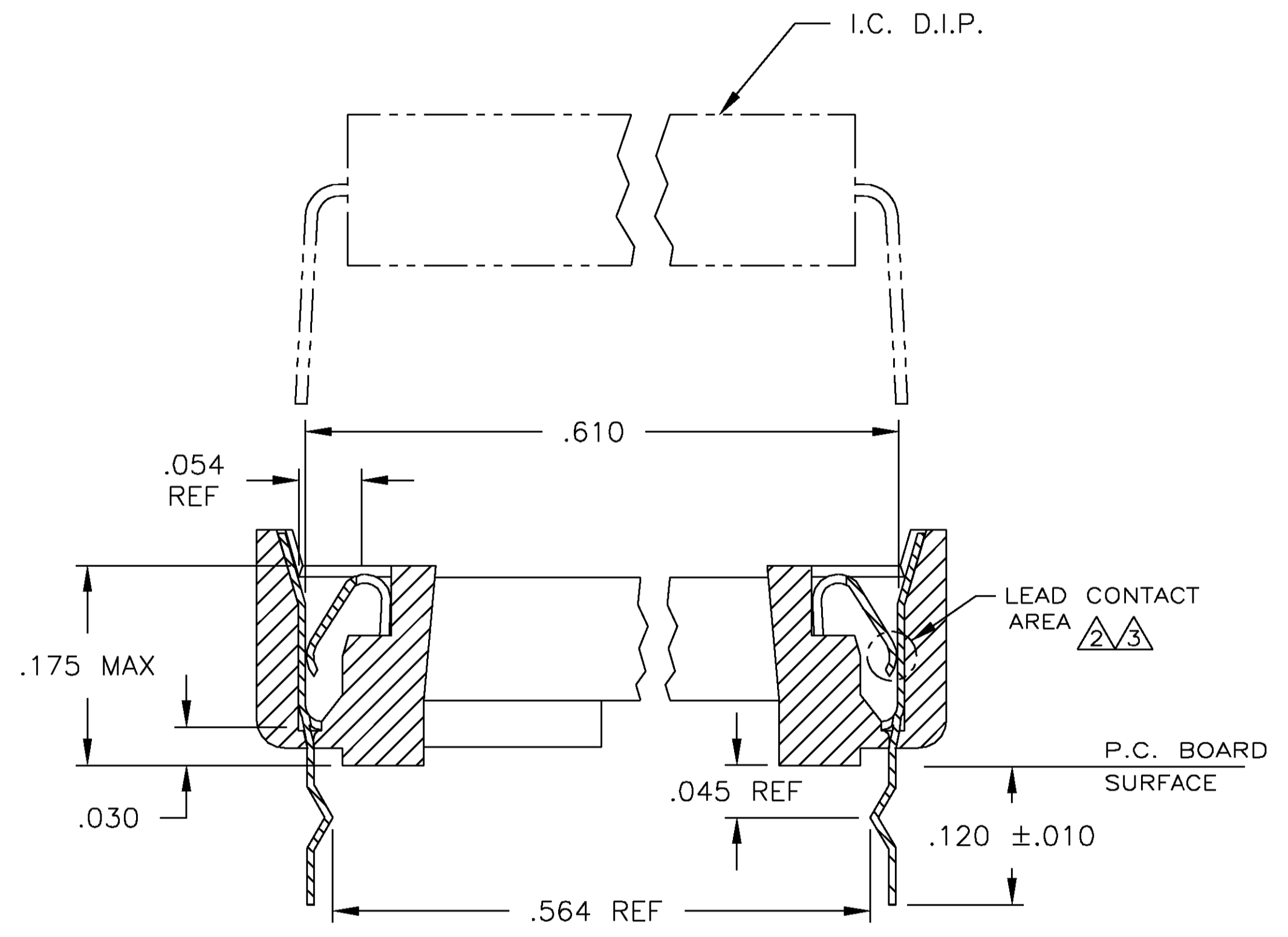
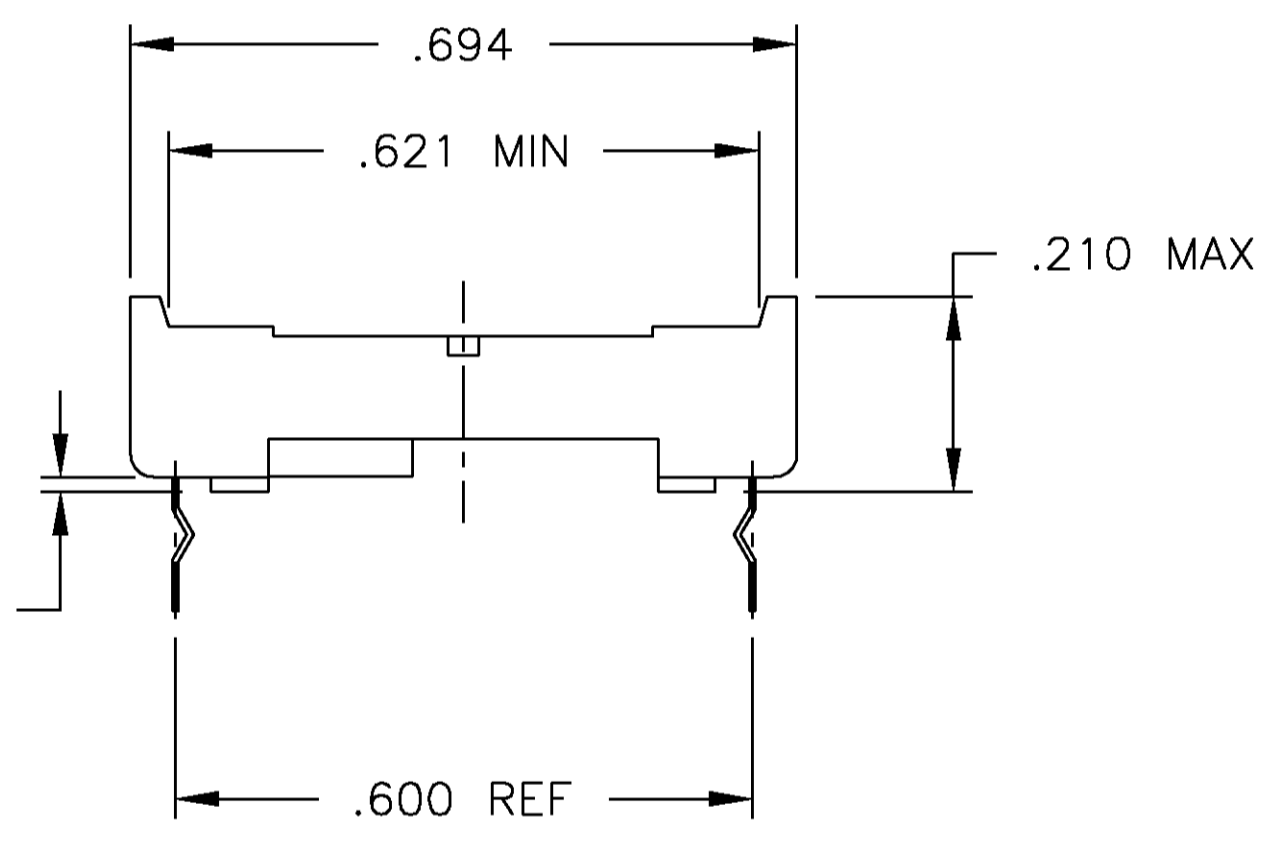
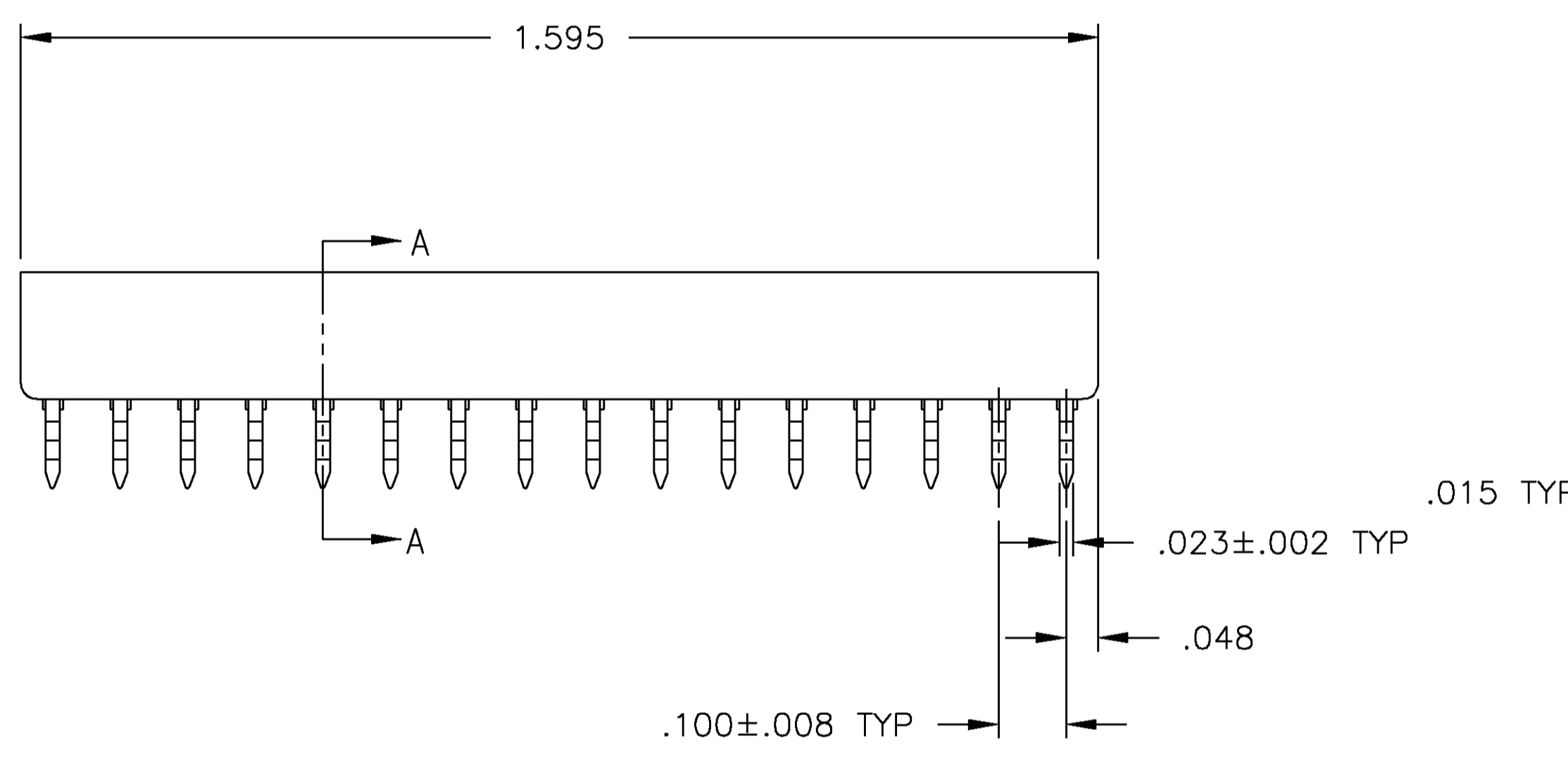
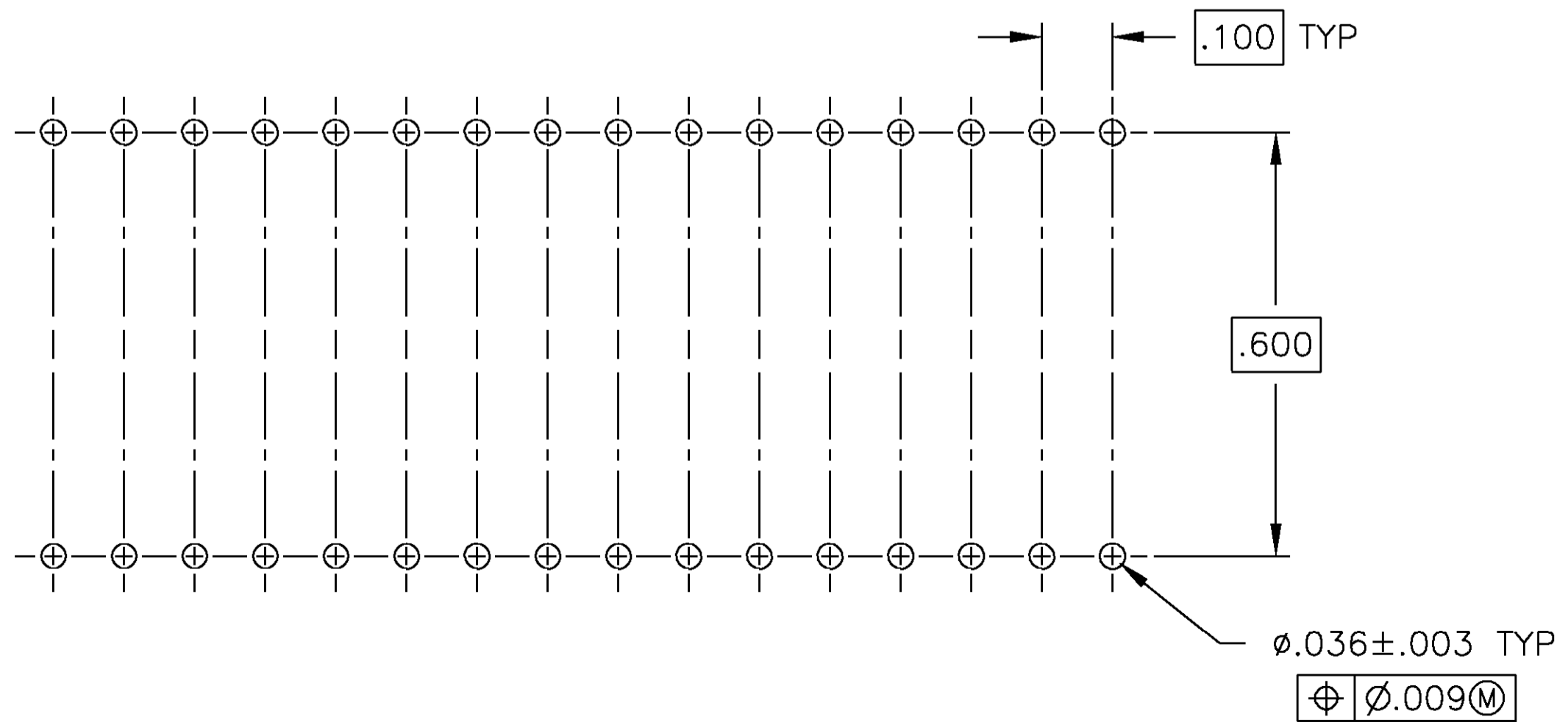


1. RECEPTACLE ACCEPTS A .008-.014 THICK I.C. LEAD.
2. TWO .000030 MIN THK. GOLD STRIPES IN CONTACT AREA WITH TIN-LEAD (93/7) ON SOLDER LEGS, BALANCE OF CONTACT NICKEL PLATED.
3. TWO .000015 MIN THK. GOLD STRIPES IN CONTACT AREA WITH TIN-LEAD (93/7) ON SOLDER LEGS, BALANCE OF CONTACT NICKEL PLATED.
4. TUBE LOADED.



SECTION A-A
SCALE 10:1



RECOMMENDED MOUNTING HOLE PATTERN

OBSOLETE	TINNED	PHOS.BRZ. .006 THK	GLASS-FILLED THERMOPLASTIC, 94V-O, BLACK	2-382189-5
SUPERSEDED BY 2-382189-2	2	PHOS.BRZ.	GLASS-FILLED THERMOPLASTIC, 94V-O, BLACK	2-382189-4
OBSOLETE	TINNED	PHOS.BRZ.	GLASS-FILLED THERMOPLASTIC, 94V-O, BLACK	2-382189-3
	3	BE.CU.	GLASS-FILLED THERMOPLASTIC, 94V-O, BLACK	2-382189-2
	TINNED	BE.CU.	GLASS-FILLED THERMOPLASTIC, 94V-O, BLACK	2-382189-1
CONTACT FINISH		CONTACT MAT'L	HOUSING MATERIAL	PART NO.

THIS DRAWING IS A CONTROLLED DOCUMENT.

DW	R BROWN	17NOV00
OK	H WYNKOOP	17NOV00
APVD	H WYNKOOP	17NOV00
NAME	SOCKET ASSY, DIP, OTC, RET LEG, 32 POS, DIPLOMATE DL	
PRODUCT SPEC	108-1066	
APPLICATION SPEC	114-1049	
SIZE	CAGE CODE	DRAWING NO
A1	00779	382189
WEIGHT	-	
MATERIAL	SEE TABLE	
FINISH	SEE TABLE	
CUSTOMER DRAWING	SCALE 5:1	SHEET 1 OF 1

AMP Tyco Electronics Corporation
Harrisburg, PA 17105